

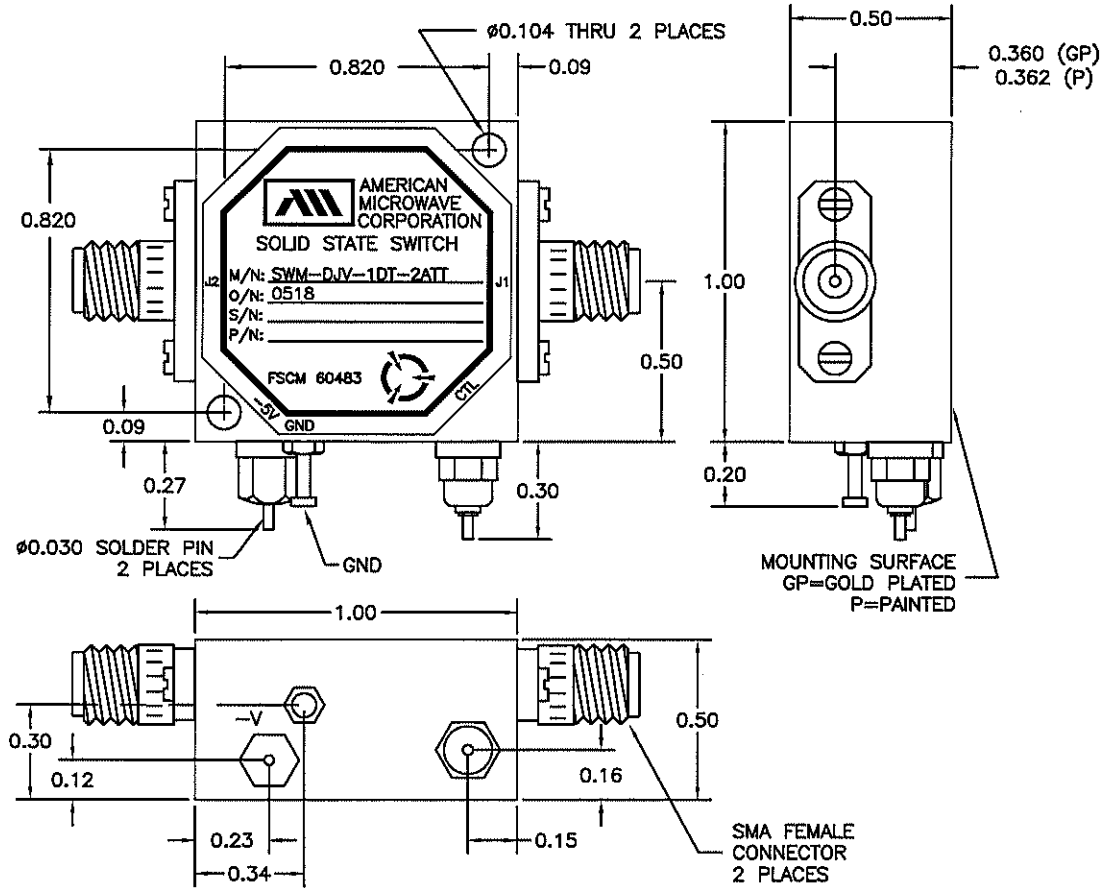
DESCRIPTION:

AMC MODEL SWM-DJV-1DT-2ATT OPT. 0518 IS A SINGLE POLE SINGLE THROW, NON-REFLECTIVE/ABSORPTIVE SWITCH MODULE WITH VERY LOW VIDEO TRANSIENT, ULTRA HIGH SPEED, HIGH ISOLATION, AND WITH INTEGRAL TTL DRIVER, DESIGNED FOR 0.5 TO 18 GHz OPERATION.

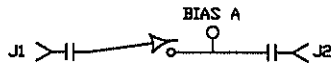
REVISIONS				
ZONE	REV.	DESCRIPTION	DATE	APPROVED
-	-	ORIGINAL JOB# 801001	01/17/08	
A	A	SEE ECR# 09-001	1/15/09	fl

SPECIFICATIONS:

- FREQUENCY: 0.5 TO 18 GHz
- INSERTION LOSS: ABSORPTIVE: 4.5db
- ISOLATION: 0.5 GHz TO 12 GHz: 60db
12 GHz TO 18 GHz: 70db
- VSWR: ABSORPTIVE IN/OUT: 2.0:1
ABSORPTIVE OUT/OFF: 2.0:1
- SPEED: RISE: 1ns TYPICAL, 2ns MAX.
FALL: 1ns TYPICAL, 2ns MAX.
DELAY ON: 12ns TYPICAL, 15ns MAX.
DELAY OFF: 12ns TYPICAL, 15ns MAX.
- VIDEO TRANSIENT: 20mV P-P @ 300MHz BANDWIDTH(2-20 GHz)
4mV P-P @ 20MHz BANDWIDTH(2-20 GHz)
150mV P-P @ 300MHz BANDWIDTH(DC-20 GHz)
50mV P-P @ 20MHz BANDWIDTH(DC-20 GHz)
- POWER INPUT: (CW)+20dBm (STANDARD),
- SURVIVAL POWER: 1 WATT CW, 10 WATTS PEAK 1 usec
- CONTROL: TTL LOGIC "0"=ON "1"=OFF
- POWER SUPPLY: -5V @ 25 mA MAX.



BLOCK DIAGRAM



M/N = MANUFACTURER PART NUMBER
O/N = OPTION NUMBER
S/N = SERIAL NUMBER
P/N = PART NUMBER

NOTE:
DR=WITH DRIVER, REFLECTIVE
DT=WITH DRIVER, NON-REFLECTIVE/ABSORPTIVE

ENVIRONMENTAL RATINGS:

- TEMPERATURE: -55°C TO +85°C (OPERATING)
-65°C TO +125°C (STORAGE)
- HUMIDITY: MIL-STD-202F, METHOD 103B COND. B
- SHOCK: MIL-STD-202F, METHOD 213B COND. B
- VIBRATION: MIL-STD-202F, METHOD 204D COND. B
- ALTITUDE: MIL-STD-202F, METHOD 105C COND. B
- TEMPERATURE CYCLE: MIL-STD-202F, METHOD 107D COND. A

ALL DIMENSIONS ARE IN INCHES
TOLERANCES:
X.XX ±0.020
X.XXX ±0.010

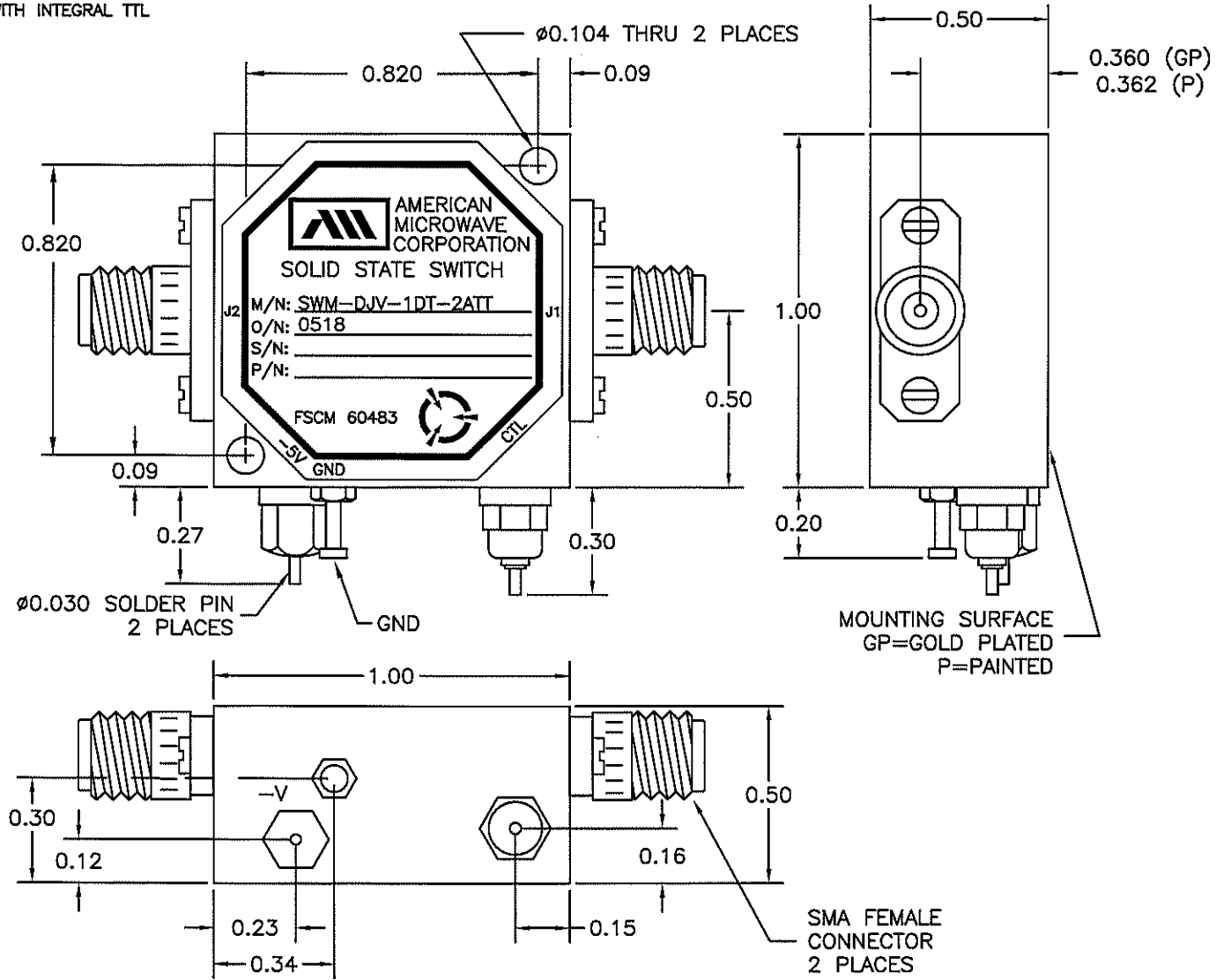
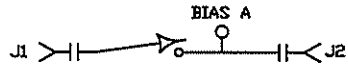
NOTE: SPECIFICATIONS WILL VARY OVER OPERATING TEMPERATURE
NOTE: THE ABOVE SPECIFICATIONS ARE SUBJECT TO CHANGE OR REVISION


APPROVALS		DATE	AMERICAN MICROWAVE CORPORATION FREDERICK, MARYLAND			
DRAWN <i>WSP & RRA</i>		08/07/00	TITLE PRODUCT FEATURE SWM-DJV-1DT-2ATT OPT. 0518			
REDRAWN <i>PMJ</i>		1/17/08	0.5 TO 18 GHz SINGLE POLE SINGLE THROW SWITCH			
CHECKED <i>[Signature]</i>		1/14/09	SIZE A	FSCM NO. 60483	DWG NO. 100-5653-3	REV. A
ISSUED <i>[Signature]</i>			SCALE N/S	SHEET 1 of 3		

DESCRIPTION:

AMC MODEL SWM-DJV-1DT-2ATT OPT. 0518 IS A SINGLE POLE SINGLE THROW, NON-REFLECTIVE/ABSORPTIVE SWITCH MODULE WITH VERY LOW VIDEO TRANSIENT, ULTRA HIGH SPEED, HIGH ISOLATION, AND WITH INTEGRAL TTL DRIVER, DESIGNED FOR 0.5 TO 18 GHz OPERATION.

BLOCK DIAGRAM

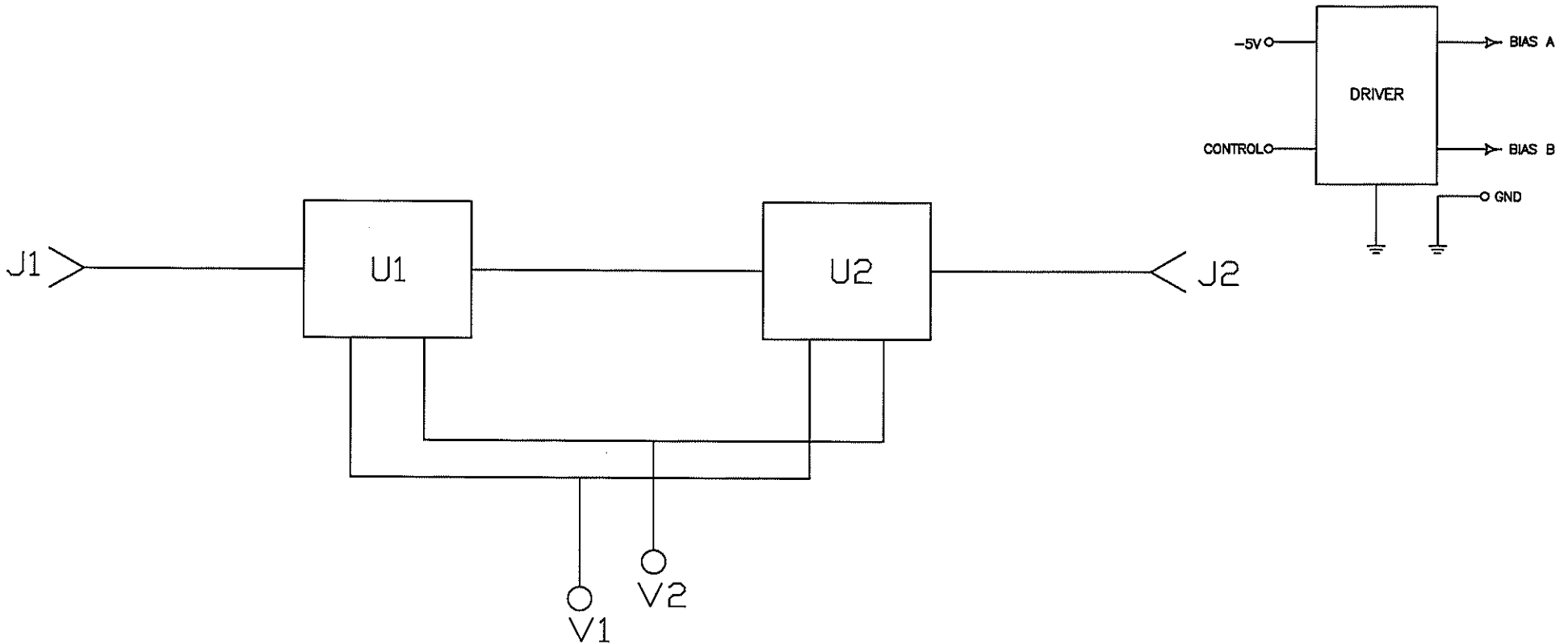


APPROVALS		DATE	 AMERICAN MICROWAVE CORPORATION FREDERICK, MARYLAND		
DRAWN	<i>WFP & RRA</i>		TITLE		
REDRAWN	<i>PMV</i>		OUTLINE DRAWING SWM-DJV-1DT-2ATT OPT. 0518 0.5 TO 18 GHz SINGLE POLE SINGLE THROW SWITCH		
CHECKED	<i>[Signature]</i>		SIZE	FSCM NO.	DWG NO.
ISSUED	<i>[Signature]</i>		A	60483	100-5653-3
			SCALE	N/S	SHEET 2 OF 3

DESCRIPTION:

AMC MODEL SWM-DJV-1DT-2ATT OPT. 0518 IS A SINGLE POLE SINGLE THROW, NON-REFLECTIVE/ABSORPTIVE SWITCH MODULE WITH VERY LOW VIDEO TRANSIENT, ULTRA HIGH SPEED, HIGH ISOLATION, AND WITH INTEGRAL TTL DRIVER, DESIGNED FOR 0.5 TO 18 GHz OPERATION.

FUNCTIONAL SCHEMATIC:



AMC CONFIDENTIAL AND PROPRIETARY

APPROVALS		DATE	AMERICAN MICROWAVE CORPORATION FREDERICK, MARYLAND			
DRAWN <i>WSP & RRA</i>		08/07/00	TITLE SCHEMATIC SWM-DJV-1DT-2ATT OPT. 0518			
REDRAWN <i>PMU</i>		1/17/08	0.5 TO 18 GHz SINGLE POLE SINGLE THROW SWITCH			
CHECKED <i>[Signature]</i>	1/12/09	SIZE A	FSCM NO. 60483	DWG NO. 100-5653-3	REV. A	
ISSUED		SCALE N/S		SHEET 3 OF 3		